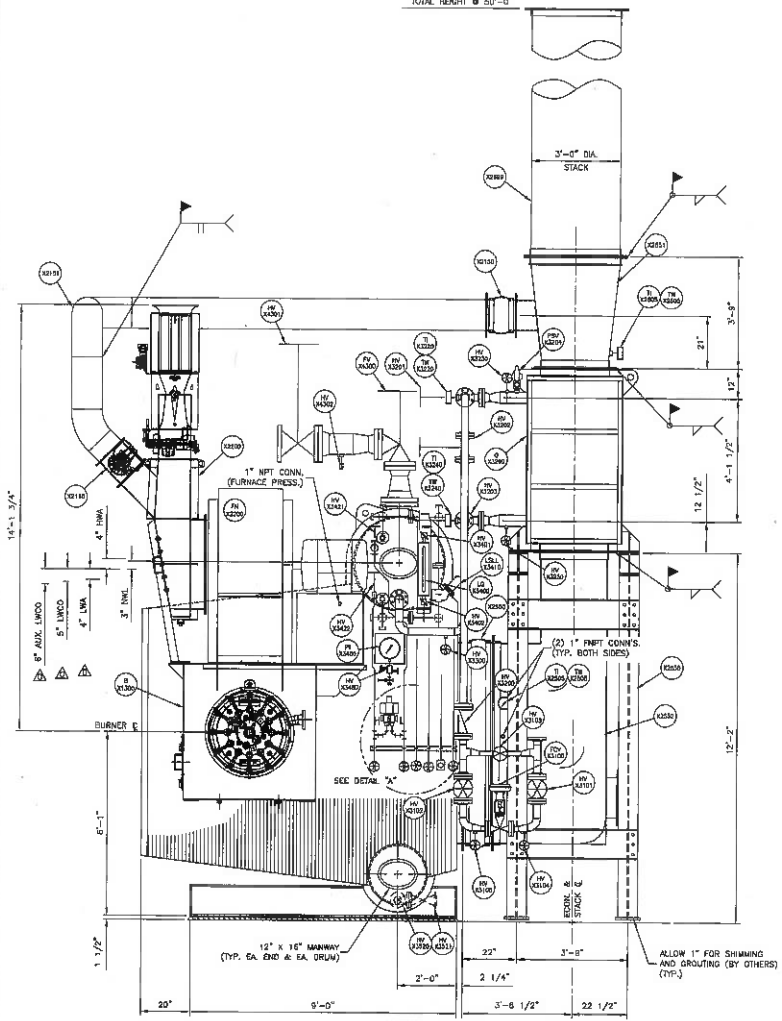
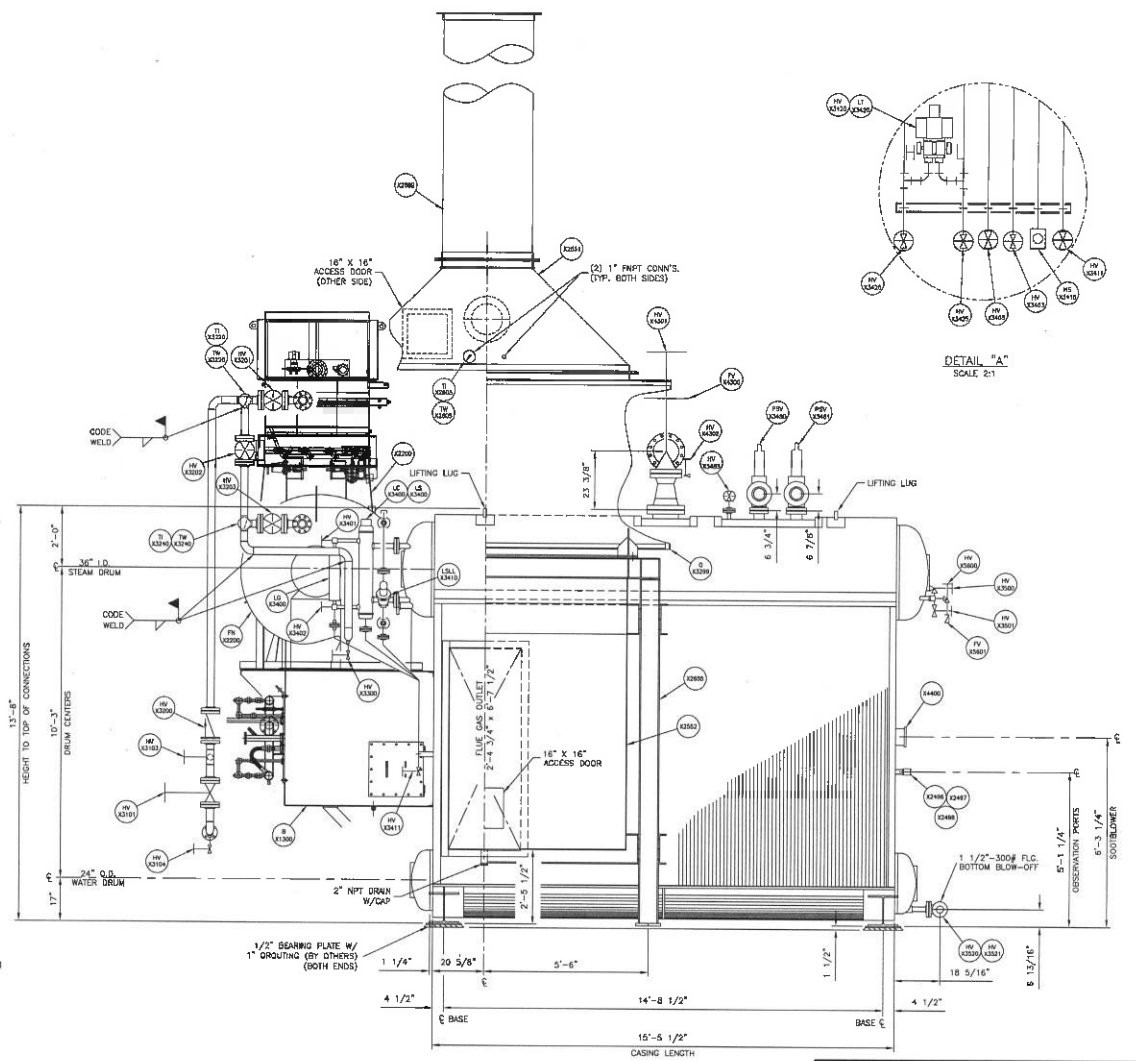


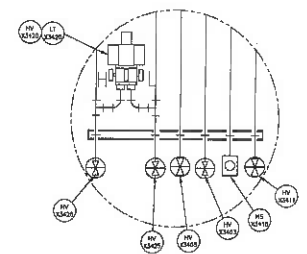
TOTAL HEIGHT @ 50'-0"



BURNER END VIEW



CONVECTION SIDE VIEW



DETAIL "A"
 SCALE 2:1

GB NEBRASKA BOILER
 The power of commitment™
 GENERAL ARRANGEMENT (SUBMITTAL 2)
 SERIES: NB-200D-45-250-EC-AL
 POWERHOUSE EQUIPMENT

SCALE: 1/2"=1'-0"	SERIAL NO.: D-5681
CSO NO.: M-4019	DRAWING NO.: SHEET 1 OF 2
HAND-RIGHT HAND	722-4796

