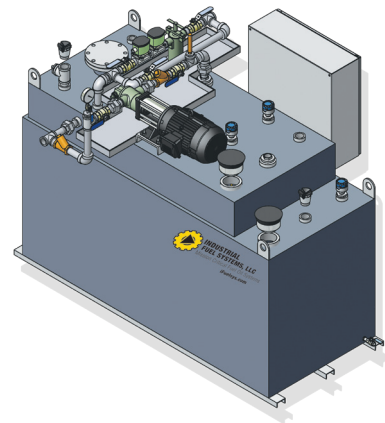
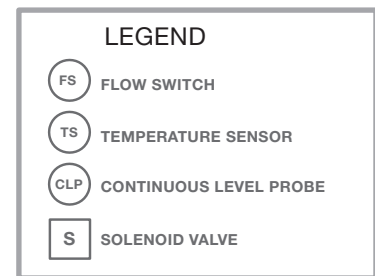
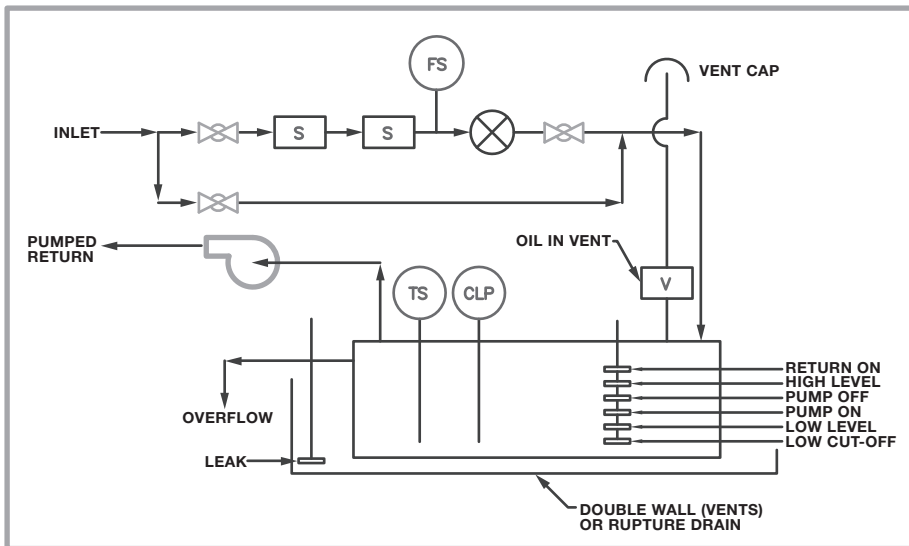




Fuel Oil Day Tanks

Day tanks are designed to reliably provide fuel oil storage for emergency generators or boilers. The day tanks are a complete package with all the required instrumentation and pumping equipment mounted to the day tank. Control panels can be mounted to the day tank or mounted close by (wall mounted), these control panels are UL508 designed.

Day tanks are available in either double wall (closed top) or open top (rupture basin). Double wall will typically have 110% containment while the rupture basin will have 160% containment. They are available in any size and shape. These tanks can be custom designed to meet any size restriction (door openings or height restrictions). All tanks are UL142 and are typically fabricated of 10 gauge steel. Below is our list of standard sizes.



Standard Models (Custom Sizes and Configurations Available)

Model	Capacity (Gallons)	Width A (inches)	Length B (inches)	Height C (inches)
DTnn- 0100	100	32	30	50
DTnn- 0150	150	36	36	50
DTnn- 0200	200	36	46	50
DTnn- 0300	360	38	66	56
DTnn- 0500	550	40	96	56
DTnn- 0800	800	50	110	60
DTnn- 1200	1200	60	120	66

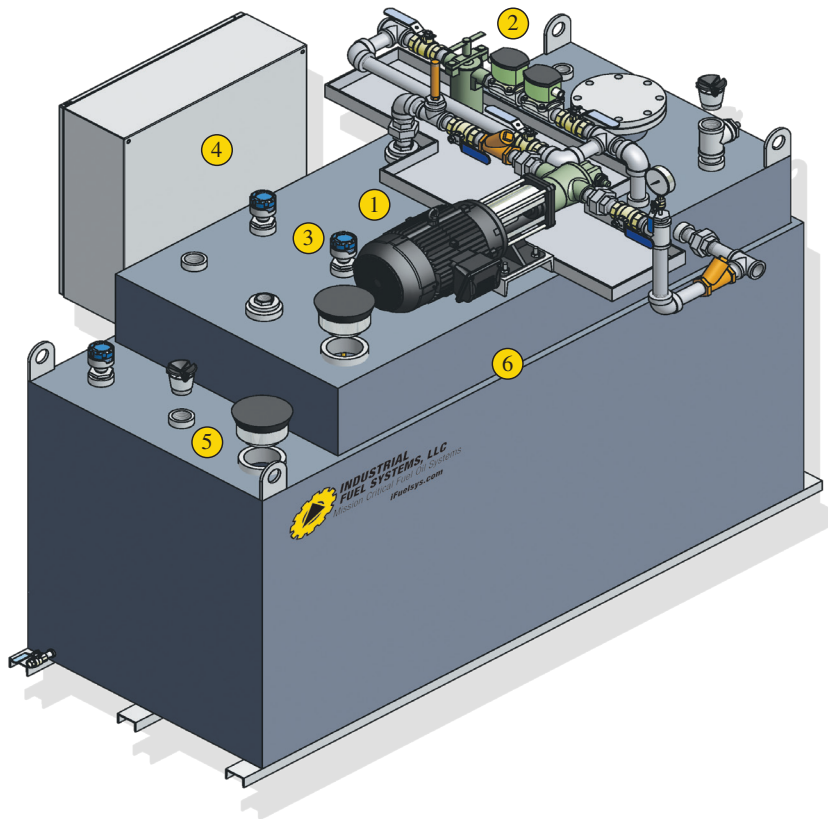
*nn indicates product version "DW" for Double Wall and "RB" for rupture basin

Typical Tank Connections accommodate the following:

Tank level Gauge – pull tape
Tank level switches (High, Pump Off, Pump On, Low)
Tank Fill Port
Tank Manual Fill Port
Overflow Return to Main Tank
Normal Vent for Tank
Normal Vent for Interstitial space on double wall tanks
Emergency Vent for Tank
Emergency Vent for Interstitial space on double wall tanks
Inspection Port
Generator or Boiler Supply with Drop Tube
Generator or Boiler Return
Tank Drain on rupture basin equipped tanks only
Interstitial or rupture basin leak switch
Interstitial drain on double wall tanks only
Pumped Return with Drop Tube

Options can include:

Clock tank level gauge
Ultrasonic Level Sensors to Read Level in Gallons
Temperature transmitter
Additional level switches (Return Pump on, Generator Off, Etc.)
Vent overflow level switch
Additional drop tubes
Return/overflow pump
Local mounted control panel with Touch Screen and Communication



1. Return Pump
2. Fill Control Manifold
3. Level Switches
4. Control Panel
5. Vent Covers
6. Double Wall Tank

Subject to Change without notice

V.7 13014.DS

Our Fuel Oil Pump Set products are only a part of our complete family of equipment that makes up a typical fuel oil system. Please contact us for your complete system needs.



One Lincoln Centre, 18W140 Butterfield Road, Suite 1100, Oakbrook Terrace, IL 60181, Office: 630-756-4382

iFuelsys.com