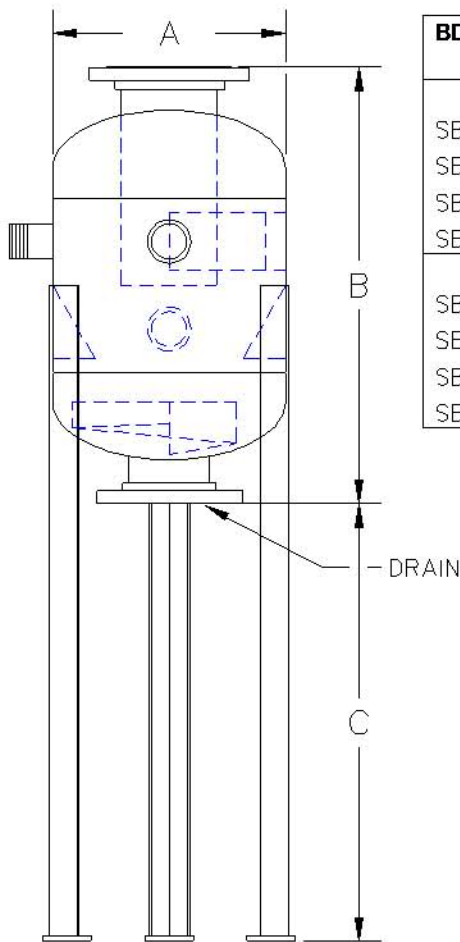
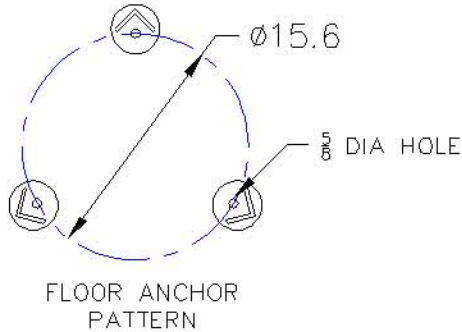
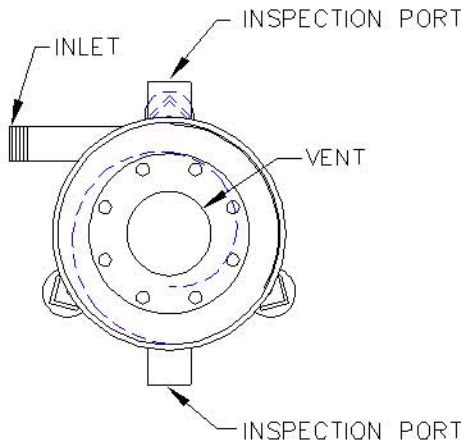
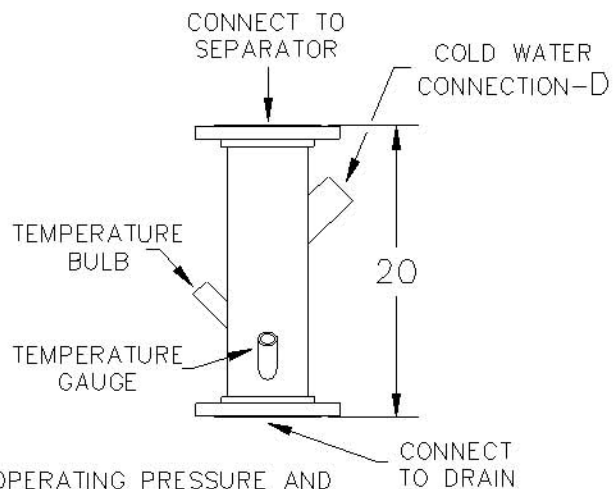



# Blowdown Separator Specifications



BD SEPARATOR PART NO.	BD INLET	DRAIN	VENT	A	B	C	D
BOILER OPERATING PRESSURE UP TO 150 PSIG							
SBDS-1032-132.5	1"	2½"	3"	10¾"	32"	30"	1"
SBDS-1630-1.2544	1¼"	4"	4"	16"	30"	30"	1¼"
SBDS-1630-1.554	1½"	4"	5"	16"	30"	30"	1½"
SBDS-1642-265	2"	5"	6"	16"	42"	36"	2"
BOILER OPERATING PRESSURE UP TO 250 PSIG							
SBDS-1638-144	1"	4"	4"	16"	38"	30"	1¼"
SBDS-1638-1.2554	1¼"	4"	5"	16"	38"	30"	1¼"
SBDS-1638-1.565	1½"	5"	6"	16"	38"	36"	1½"
SBDS-1644-288	2"	6"	8"	16"	44"	36"	2"

## AFTERCOOLER DETAIL



1. SELECT MODEL # BASED ON BOILER OPERATING PRESSURE AND BOTTOM BLOWDOWN CONNECTION SIZE.
2. CONNECTION SIZES 2½" AND SMALLER ARE THREADED. SIZES 3" AND LARGER ARE 150# RF ANSI FLANGES.
3. ALL MODELS RATED 150 PSIG ASME SECT VIII, DIV 1. 
4. FOR COMPLETE PACKAGE WITH AFTERCOOLER & PIPING, ADD SUFFIX -AC TO MODEL #.